

Incubator S

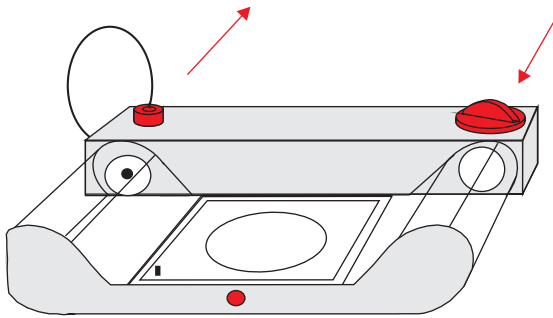
11531171

Cell Culture + Microscopy

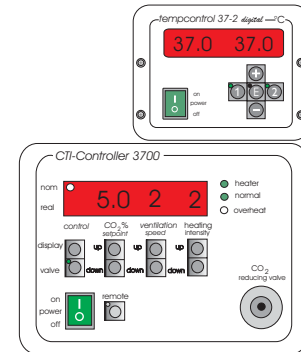


for the Heating Insert P in the Scanning Stage IM 100x100

11531172



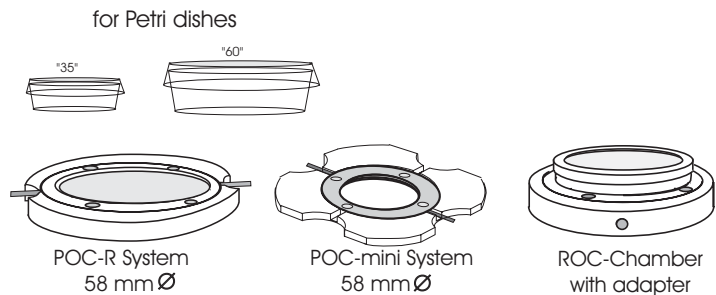
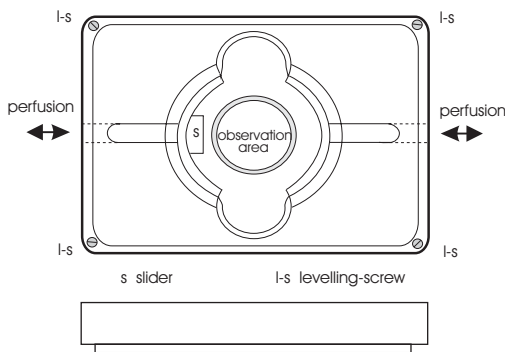
External dimensions of housing (LxBxH) in mm: 155 x 225 x 40



11521719

11521588

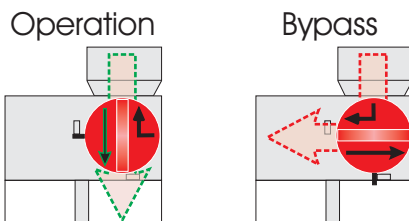
11521591



Accessories to the Incubator S:

*Cover with and without glass insert (for DIC microscopy)

*Amplifier: The amplifier between Incubator S and CTI-Controller should be at 0.0°C as standard. Only in cases in which there is a large amount of condensation on the cover of the Petri dish may the temperature of the air stream be increased in steps of 0.5°C for a short period of time.



Bypass: The conditioned air stream may be diverted through a channel before the cover is removed

The Incubator S should be operated using a very low CO₂ supply pressure. Greater fluctuations in the CO₂-value during control (drastic "overshoot" above the real value) can be reduced by decreasing the supply of gas (CO₂ reducing valve)

To largely avoid water loss from nutrient media etc. the sterilizable "FoilCover" should be used for size "35" and "60" Petri dishes. The covers have a crystal clear 25 µm film which is permeable to gas.

The flexi-tubes can be autoclaved (121°C, 20 min.), if necessary. Push tubes together completely before autoclaving.

