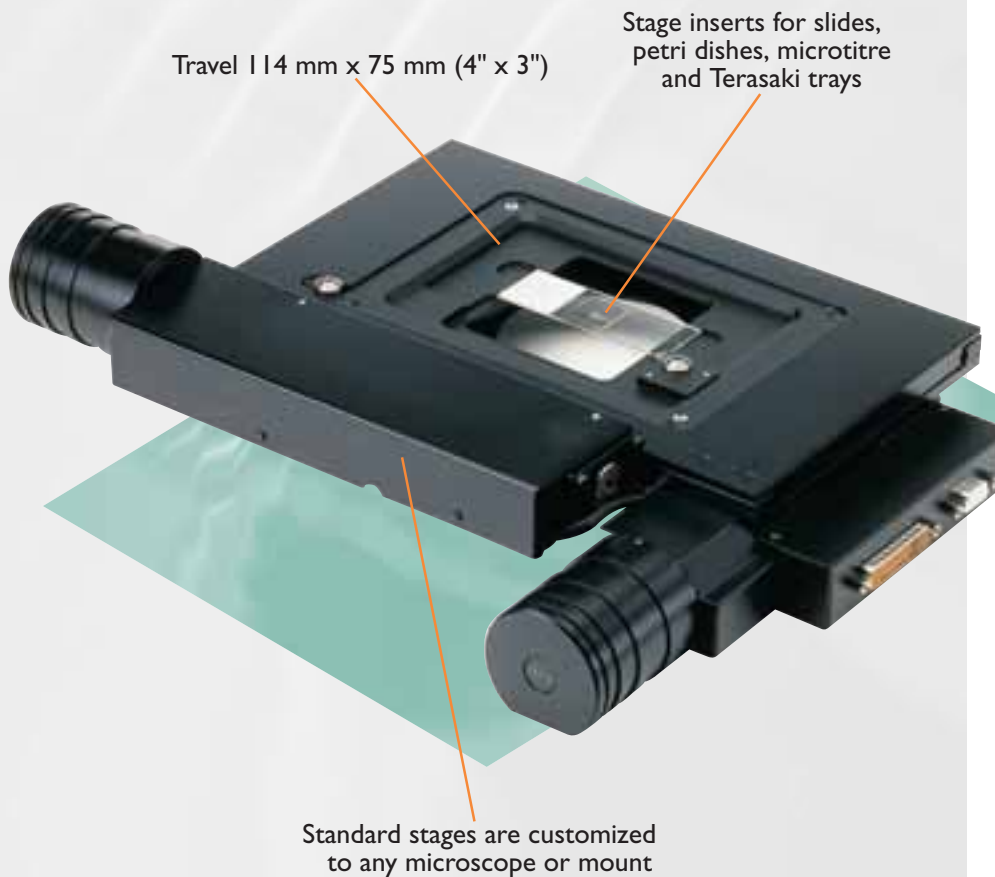


H101A Stage

4"x3" Travel, Programmable, Motorized Stepper Stage for Upright Microscopes

Features



Now add the highest quality, precision motorized stepper stage to your upright laboratory microscope: the Prior ProScan. The H101A is one of a full range of ProScan motorized stages from Prior Scientific adaptable to virtually any microscope or optical system. With the H101A, you can increase your labor efficiency by automatically scanning your specimens and storing points for later recollection and inspection with unmatched repeatability. Perform scanning or inspection of slides, microtitre trays, semiconductor wafers, or metallurgical specimens in any sort of pattern, including raster, snake and random.

The H101A features:

- Travel 114 mm x 75 mm (4" x 3")
- Repeatability to ± 0.3 micron with optional linear scales
- Minimum step size (resolution) of the stage is 0.04 microns
- Standard stages are customized to any microscope or mount
- Stage inserts for slides, petri dishes, microtitre and Terasaki trays

Prior stages have a well-deserved reputation for quality and repeatability. They are manufactured using the highest quality components: crossed roller ways, zero backlash recirculating ball screws, X and Y limit switches, two high precision stepper motors even a tough scratch resistant coating. They are available with standard and custom sample holders to suit the user's application and requirements. Stages can be driven by the Prior series of motor controllers or compatible systems in existing OEM configurations. The controller can be accessed via RS-232 serial port or with an optional joystick or keyboard. For the H101A and all its products, Prior provides full support and service both direct and indirect – through a professional, knowledgeable and extensive dealer network.

H101A Stage



4"x3" Travel, Programmable, Motorized Stepper Stage for Upright Microscopes

Standard Sample Holders



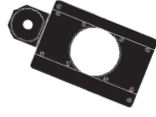
Glass Plate



Single Slide Holder



Four Slide Holder



Motorized Rotating Holder



Custom Configurations

Ordering Information

Stage:

500-H101A Specify Microscope Make and Model

Sample Holder:

500-H220 Glass Plate

500-H224 Single Slide 1"x3"

500-H237 Single Slide 2"x3"

500-H234 Four Slide

500-H240 Motorized Rotating Holder

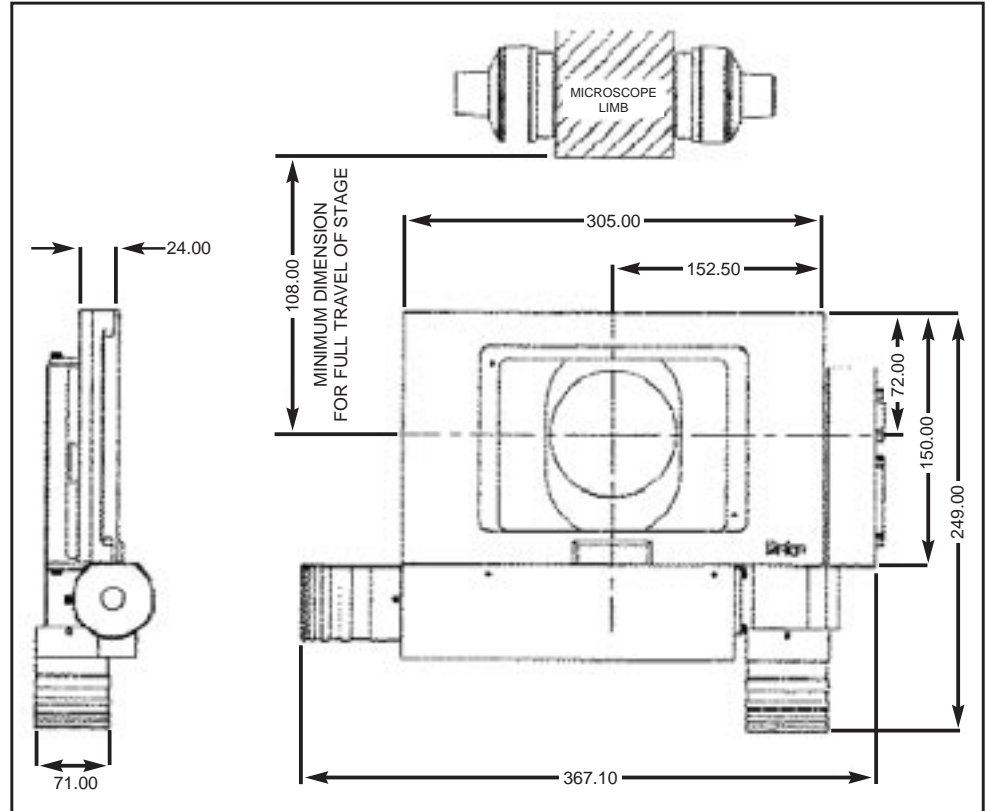
500-H2xx Custom Sample

500-H230 Aluminum Plate

Options:

500-HK01 Manual Override Knobs

500-H101JENK Linear Encoders



Dimensions in millimeters.

General Specifications

Travel Range	114 mm x 75 mm (4" x 3")	Stage Profile	Approximately 25mm (1.0") with glass plate installed
Repeatability*	±1 µm (micrometer) ±0.3 µm with linear scales	Weight	3.0 kg (6.6 lbs)
Minimum Step Size (Resolution)	0.04 µm	Finish	Electrophoretic black plate
Load Capacity	10 kg		
Stepper Motor	4 phase, 1 amp per phase, micro stepping		
Linear Slides	Crossed 3 mm roller bearings		
Drive Screws	Zero backlash, recirculating ball screws; 2 mm pitch		
Limit Switches	X and Y standard		

*Specifications valid only if used with Prior Controller.

PRIOR
Scientific

PRIOR SCIENTIFIC INSTRUMENTS LIMITED,
UNIT 4, WILBRAHAM ROAD, FULBOURN,
CAMBRIDGE CB1 5ET
TELEPHONE 01223 881711
FAX 01223 881710

PRIOR SCIENTIFIC INC.,
80 RESERVOIR PARK DRIVE,
ROCKLAND, MA 02370-1062
TELEPHONE 781-878-8442
FAX 781-878-8736

VISIT PRIOR ON THE WEB AT www.prior.com

Specifications subject to change without notice.