

PRIMA TRAINER

PRIMA TRAINER



LABOMED[®] 
ideas for vision

PROGRESS THROUGH INNOVATION



PRIMA TRAINER

At LABOMED, harmony has always been our guiding principle when designing products. Staying true to this philosophy, we proudly introduce a new dimension in performance, flexibility and economy for modern restorative and endodontic practices – the PRIMA TRAINER

Each microscope is built to perform under the most demanding of clinical environments. The PRIMA TRAINER offers an array of configurations and ergonomic accessories to address all surgical needs.



FOR THE MOST DEMANDING APPLICATIONS

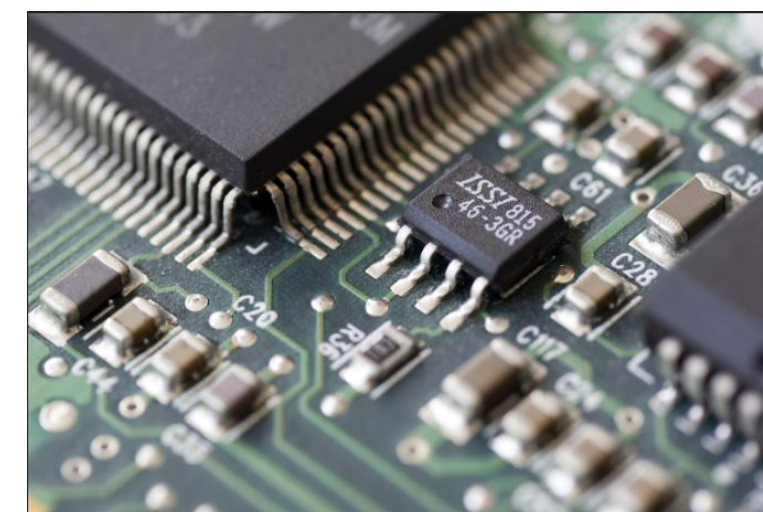


Over the years, the microscope has become a standard tool of care for a diverse set of dental applications from routine crown preps to canal identification and pulp removal. Today, dentists in not just the endodontics but also the restorative community want their microscopes to be more agile, versatile and efficient than ever before. Answering this call, LABOMED was the first to develop a single LED-based illumination concept for a dental microscope. That design leadership has delivered an evolved illumination system that is highly efficient, cool, and offers a truly white LED with Lux values nearing that of Xenon, but with a 60,000 hour rated bulb life.

Given most laboratories have spatial constraints, a microscope needs to be more compact than ever. Housing the LED light source and electronics within the Prima arm assembly eliminates the need for bulky illumination housing, yielding an overall space saving of approximately 20% compared to conventional Xenon and Halogen systems.

The Prima TRAINER comes equipped with an Apochromatic optical system that promises the most vivid and honest images in its class. This is achieved with LABOMED's proprietary *MaxLite™* coatings that provide highest efficiency in transmission and reflection through the entire visible spectrum. *MaxLite™* renders optics with excellent anti-fungal, anti-fog and scratch resistant properties.

To address digital documentation needs, a host of digital SLR, video camera, and CCD adapters are made available with the *ProLine* range of camera adapters & smart phone adapters.



Use the PRIMA TRAINER for art conservation, anthropology bone examination, inspection of electronic circuit boards, or perform rodent or rat dissection. Extra long working distance objectives and brilliant LED illumination make stunning images possible!

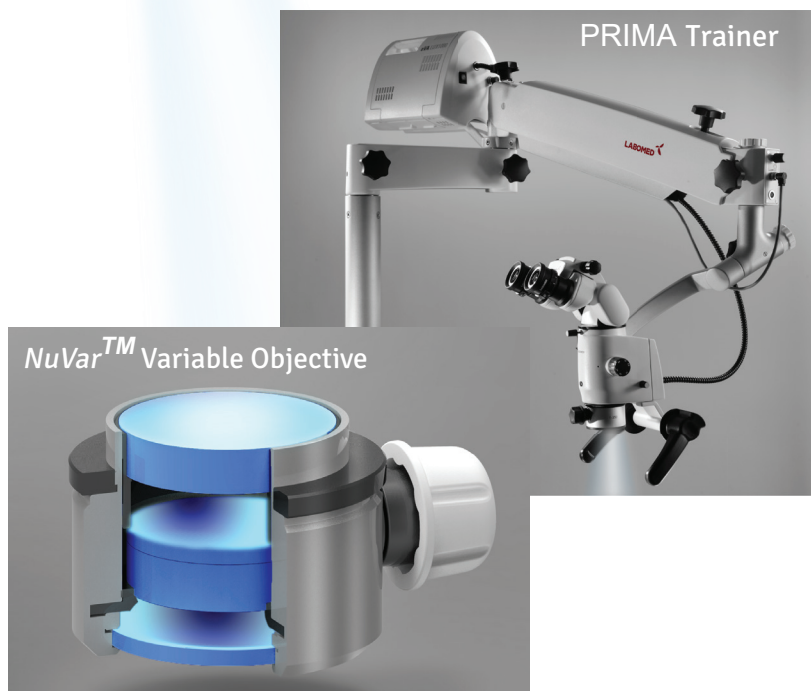


PRIMA DNT ADVANTAGES

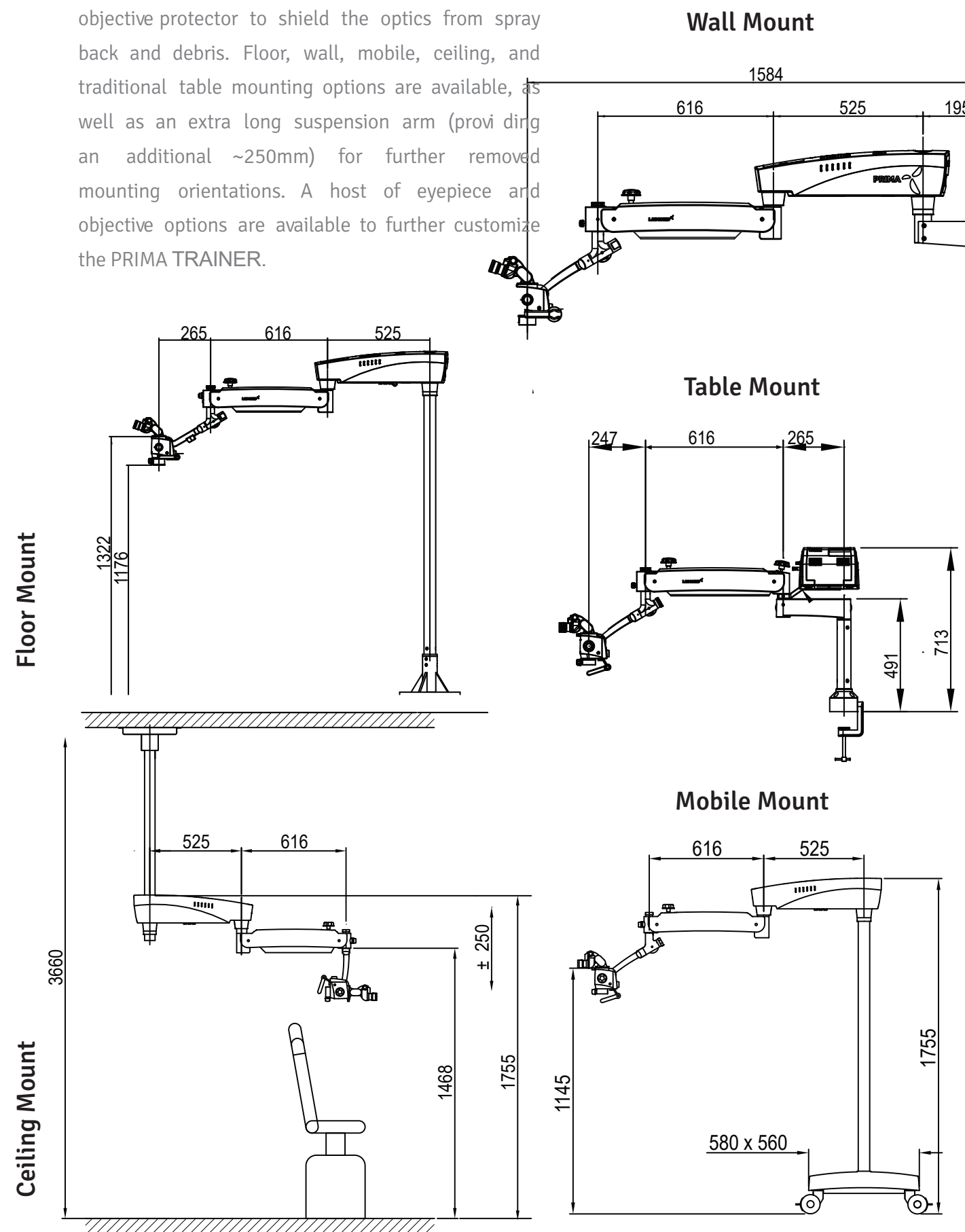


The *NuVarTM* variable objective enables dentists to select the ideal working distance based on procedure requirements. Different *NuVarTM* system provides fluid adjustment of working distance from 220mm to 320mm, 200mm to 270mm and 200mm to 400 mm.

For space constrained operatories or teaching environments, LABOMED has developed a more compact option called the DNT Trainer model, with a lower center of gravity and short swivel arm.



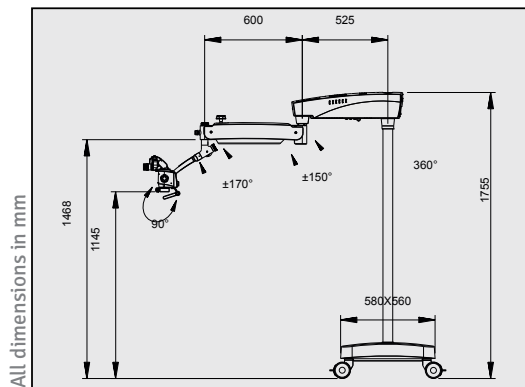
The PRIMA TRAINER comes with a clip-on objective protector to shield the optics from spray back and debris. Floor, wall, mobile, ceiling, and traditional table mounting options are available, as well as an extra long suspension arm (providing an additional ~250mm) for further removed mounting orientations. A host of eyepiece and objective options are available to further customize the PRIMA TRAINER.



All dimensions in mm

PRIMA TRAINER MICROSCOPE

Observation tubes	Standard: 0-210° Tilttable binocular tube
IPD	48-78 mm
Eyepieces	Standard: WF 10X/18 mm with eye guards and dioptre lock mechanism Option: WF 12.5X/18 mm with eye guards and dioptre lock mechanism
Dioptre Adjustment	± 5 mm
Magnichanger	Apochromatic 5 step: 0.4X, 0.6X, 1.0X, 1.6X and 2.5X * <i>MaxLite</i> coated
Objective	Standard f: 250 mm focusable; Options: f: 200 mm focusable; f: 300 mm focusable & f: 400 mm focusable <i>NuVar™</i> 7: f 290-360 mm WD: 200-270 mm <i>NuVar™</i> 10: f 300-400 mm WD: 220-320 mm <i>NuVar™</i> 20: f 295-495 mm WD: 200-400 mm
FOV	66-10.6 mm
Magnification Range	2.7x-17.0x
Fine focus	Manual, through objective adjustment knob
Light source	50W LED, 100-240V
LUX	125K
Maximum Wattage	200 Watts
Color Temperature	6500K
Built-in filters	Green and Yellow
Vertical movement of arm	550 mm with power saver light cut off at park position
Microscope carriers	120° carrier
Optional accessories	Beam splitter (straight & inclined), Rotoplate, Extender, Double Iris, Low height Ergo view, <i>ProLine</i> range of camera adapters & Smart phone adapters Assistant binocular attachment



DESCRIPTION	CONFIGURATION	CATALOG NO.
Prima TRAINER	Mobile mount	6138000
	Wall mount	6137101
	Ceiling mount	6137201
	Table mount	6167500
	Wall mount long arm	6137102
	Ceiling mount long arm	6137202
	Floor mount fixed	6138001
	Floor mount fixed long arm	6138002



LABOMED 

Distributor

Meyer Instruments, Inc.
4202 Bear Lodge Court
Houston, TX 77084
281-579-0342
www.meyerinst.com



DQS Inc.
Labo America Inc.
Registered to ISO 9001:2015
BR Number 10005565